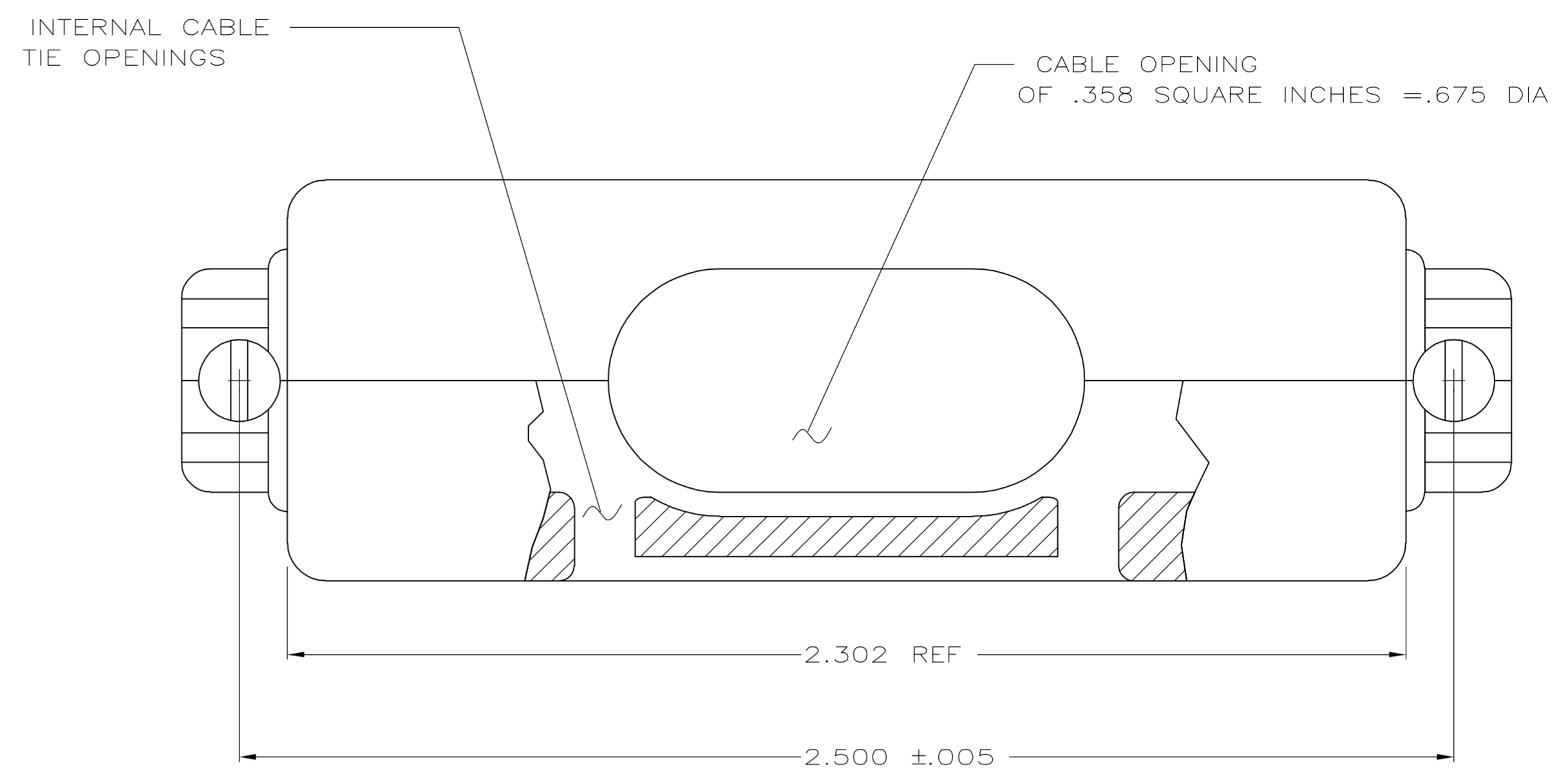
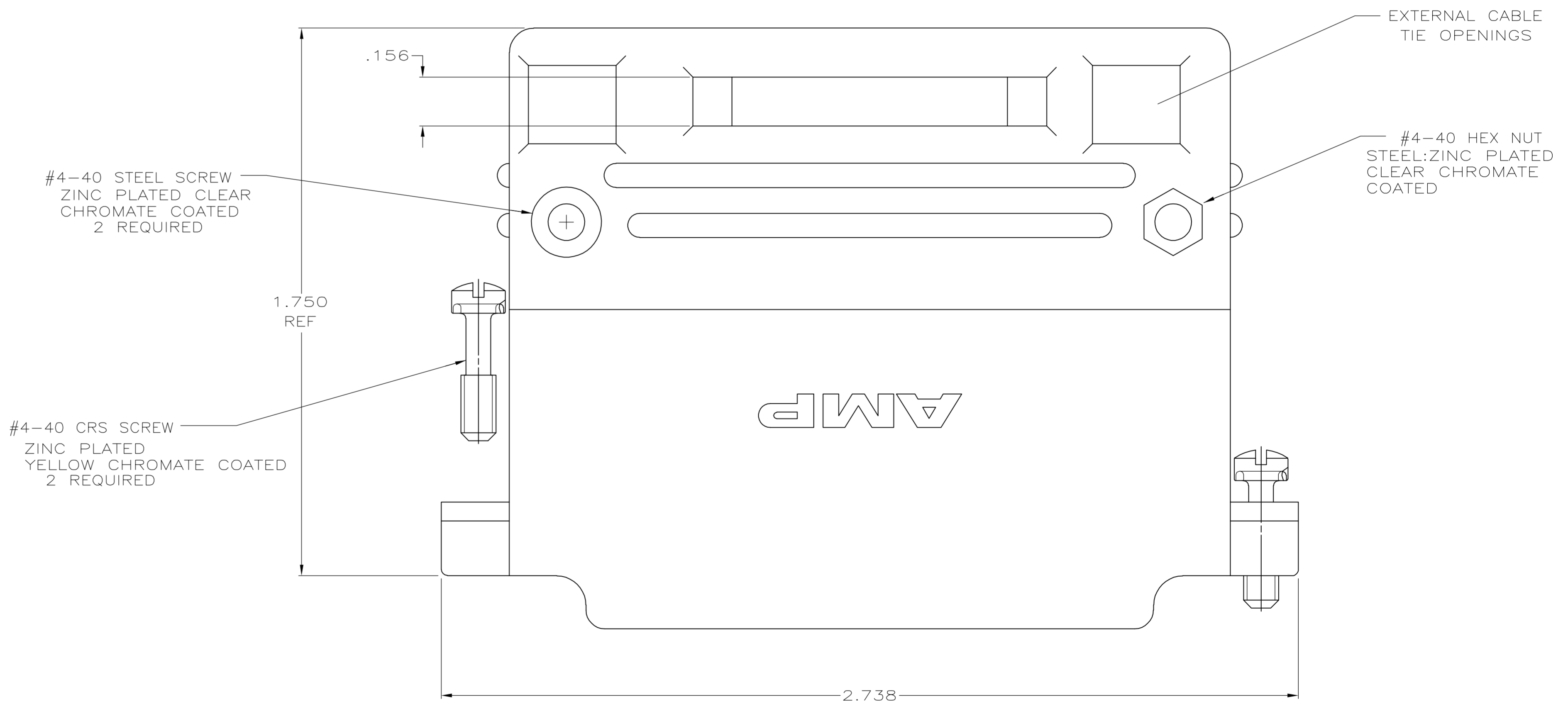
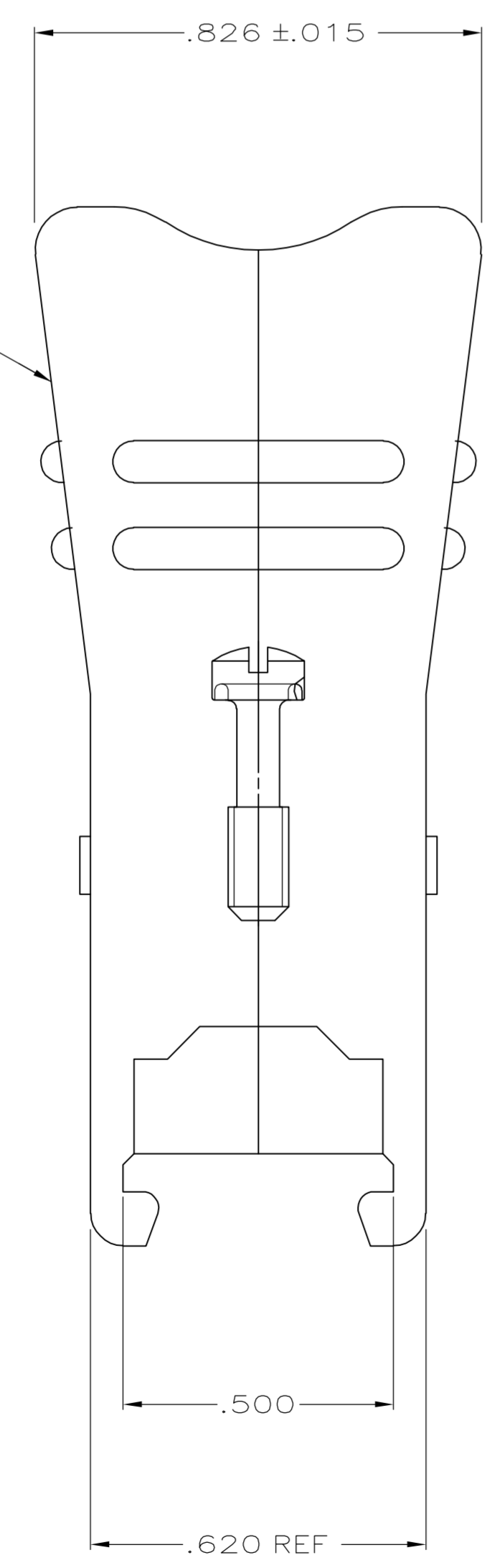


- 1 THIS PART WILL FIT ANY SIZE 4 PLUG OR RECEPTACLE IN THE AMPLIMITE SERIES CONNECTOR.
- 2 ALL PARTS ARE PACKAGED UNASSEMBLED.
- ③ ONE KIT PER POLY BAG.
- ④ SAME AS -1 EXCEPT BULK PACKAGED



TWO PIECE CABLE SUPPORT HOUSING MATERIAL—THERMOPLASTIC GRAY



OBSOLETE	④	5745081-2
	③	5745081-1
PACKAGING		PART NUMBER

THIS DRAWING IS A CONTROLLED DOCUMENT.		DWN R. RICHARDSON 13SEPT05	<p>Tyco Electronics Corporation Harrisburg, PA 17105-3608</p>												
DIMENSIONS: INCHES		CHK C. ROHDE 13SEPT05													
TOLERANCES UNLESS OTHERWISE SPECIFIED:		APVD M. WALMSLEY 13SEPT05	NAME CABLE SUPPORT ASSEMBLY, SIZE 4, 37 POSITION, 90°/180°, AMPLIMITE HD-20												
<table border="1"> <tr><td>0 PLC</td><td>± .-</td></tr> <tr><td>1 PLC</td><td>± .-</td></tr> <tr><td>2 PLC</td><td>± .-</td></tr> <tr><td>3 PLC</td><td>± .010</td></tr> <tr><td>4 PLC</td><td>± .-</td></tr> <tr><td>ANGLES</td><td>± .-</td></tr> </table>		0 PLC	± .-	1 PLC	± .-	2 PLC	± .-	3 PLC	± .010	4 PLC	± .-	ANGLES	± .-	APPLICATION SPEC	RESTRICTED TO
0 PLC	± .-														
1 PLC	± .-														
2 PLC	± .-														
3 PLC	± .010														
4 PLC	± .-														
ANGLES	± .-														
MATERIAL SEE CALLOUTS		WEIGHT	SIZE CAGE CODE DRAWING NO												
FINISH SEE CALLOUTS		—	A1 00779 C=5745081												
CUSTOMER DRAWING		SCALE 4:1	SHEET 1 OF 1 REV A												